

Upright Cabinets

T-43-HC

Upright Foodservice Refrigerator, 2 Full Solid Swing Doors



| Dimensions | |
|------------------------------------|---|
| External Width (mm) | 1194 |
| External Depth (mm) | 750 |
| External Height (mm) | 2074 |
| Exclusions | Depth does not include 13 mm for rear access panel. |
| Net Volume (Litres) | 768 |
| Gross Volume (Litres) | 1054 |
| Supplied Shelves | 8 |
| Shelf Size (L x D mm) | 531 x 572 |
| Internal Net Height (mm) | 1300 |
| Unpackaged Weight (kg) | 162 |
| Packaged Weight (kg) | 173 |
| Packaged Dimensions (W x D x H mm) | 1372 x 902 x 2134 |
| Supplied with | Heavy duty lock-in-place ø 64 mm castors (83 mm height) |

| Build | |
|-----------------------|---|
| Door Description | 2-Stainless Steel Solid Doors with Clear Aluminum Liner |
| Exterior Construction | Stainless Steel Front with Aluminum Ends and GalFan Back and Top |
| Interior Construction | Clear Coated Aluminum Liner, Stainless Steel Floor with Coved Corners |
| Air Intake Position | Front |
| Ventilation Position | Rear |
| Clearance Required | 26 mm rear, zero sides |
| Cord Length (Meters) | 2.74 |
| Internal Lighting | LED |
| Standard w/ Locks | Standard |

| Technical | |
|--------------------------------|--|
| Temperature Range | 0.5 : 3.3°C |
| Refrigerant | R290 |
| Voltage/Frequency/Phase | 220-240V/50-60Hz/1 |
| Amps | 2.4 |
| Watts | 552 |
| Climate Class | 5 |
| Operating Statement | Heavy Duty: This appliance is intended for use in ambient temperatures up to 40°C. |
| Test Standard | EN ISO 22041:2019 |
| EEC | C |
| Energy Efficiency Index | 47.8 |
| Defrost Type | Auto |
| Energy Consumption (kWh/24h) | 2.45 |
| Energy Consumption (kWh/Annum) | 895 |



Specifications subject to change without notice.

Chart dimensions rounded up to the next whole millimeter (inches rounded up to the 1/8")

UK & Ireland
EMEA
Australia

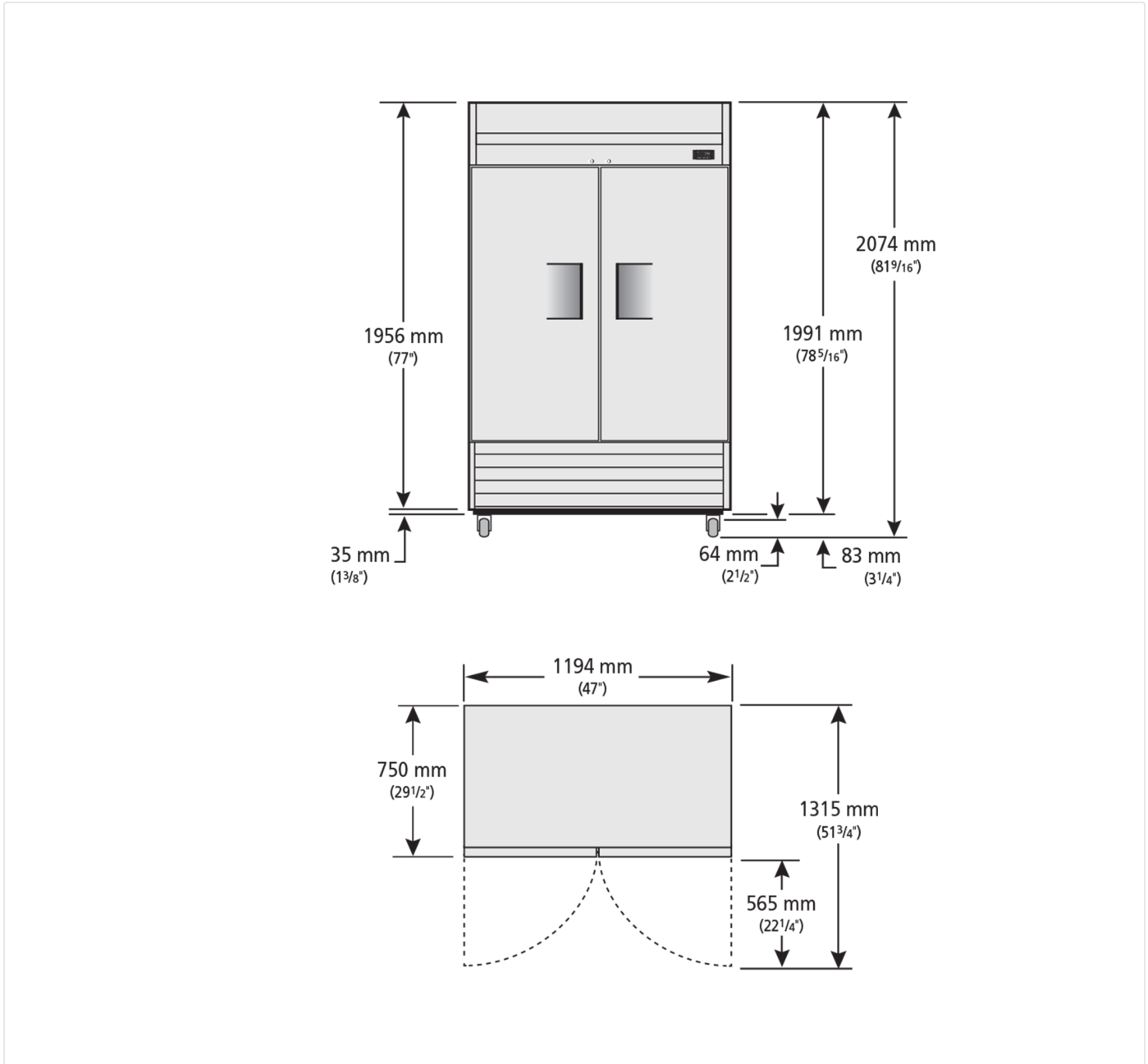
0800 783 2049
+41 61 563 07 05
+61 2 9619 9999

TFIUK@truemfg.com
TrueCHCustomerService@truemfg.com
TrueRefAus@truemfg.com



T-43-HC

Upright Foodservice Refrigerator, 2 Full Solid Swing Doors



Specifications subject to change without notice.
Chart dimensions rounded up to the next whole millimeter (inches rounded up to the 1/8")

UK & Ireland
EMEA
Australia

0800 783 2049
[+41 61 563 07 05](tel:+41615630705)
[+61 2 9619 9999](tel:+61296199999)

TFIUK@truemfg.com
TrueCHCustomerService@truemfg.com
TrueRefAus@truemfg.com

