

Upright Cabinets

# T-15-HC

Slimline Upright Foodservice Refrigerator, 1 Full Solid Swing Door



Dimensions	
External Width (mm)	632
External Depth (mm)	585
External Height (mm)	1877
Exclusions	Depth does not include 13 mm for rear access panel.
Net Volume (Litres)	290
Gross Volume (Litres)	425
Supplied Shelves	5
Shelf Size (L x D mm)	524 x 445
Internal Net Height (mm)	1300
Unpackaged Weight (kg)	101
Packaged Weight (kg)	112
Packaged Dimensions (W x D x H mm)	737 x 699 x 1918
Supplied with	Heavy duty lock-in-place ø 51 mm castors (74 mm height)

Build	
Door Description	1 Solid Swing Door
Door Opening	Right (standard) or Left
Exterior Construction	Stainless steel front, aluminium sides & rear
Interior Construction	Clear coated aluminium, stainless steel base
Air Intake Position	Front
Ventilation Position	Rear
Clearance Required	26 mm rear, zero sides
Cord Length (Meters)	2.74
Internal Lighting	LED

Technical	
Temperature Range	0.5 : 3.3°C
Refrigerant	R290
Voltage/Frequency/Phase	220-240V/50-60Hz/1
Amps	1.4
Watts	322
Climate Class	5
Operating Statement	Heavy Duty: This appliance is intended for use in ambient temperatures up to 40°C.
Test Standard	EN 16825
EEC	D
Energy Efficiency Index	52.4
Defrost Type	Auto
Energy Consumption (kWh/24h)	1.55
Energy Consumption (kWh/Annum)	569



Specifications subject to change without notice.  
Chart dimensions rounded up to the next whole millimeter (inches rounded up to the 1/8")

UK & Ireland  
EMEA  
Australia

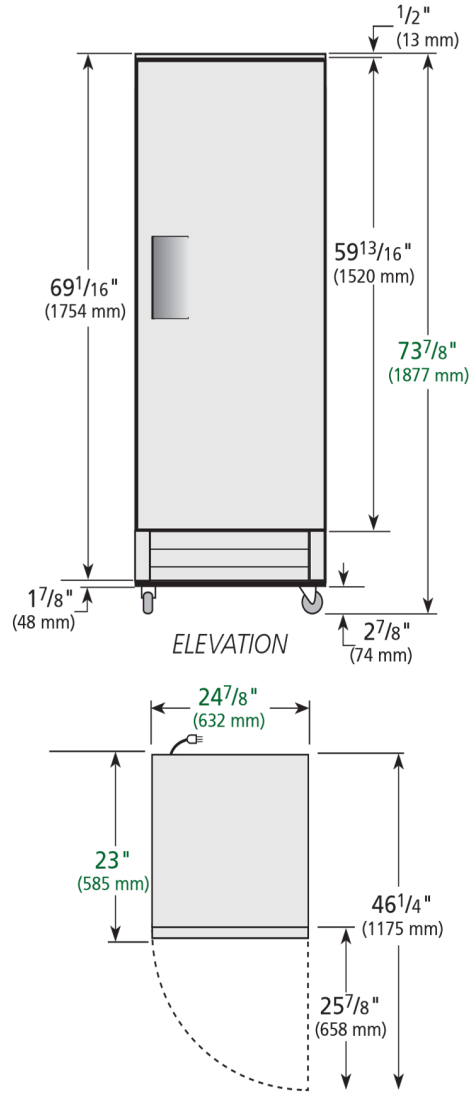
0800 783 2049  
+41 61 563 07 05  
+61 2 9619 9999

TFIUK@truemfg.com  
TrueCHCustomerService@truemfg.com  
TrueRefAus@truemfg.com



# T-15-HC

■ Slimline Upright Foodservice Refrigerator, 1 Full Solid Swing Door



Specifications subject to change without notice.  
Chart dimensions rounded up to the next whole millimeter (inches rounded up to the 1/8")

UK & Ireland  
EMEA  
Australia

0800 783 2049  
[+41 61 563 07 05](tel:+41615630705)  
[+61 2 9619 9999](tel:+61296199999)

[TFIUK@truemfg.com](mailto:TFIUK@truemfg.com)  
[TrueCHCustomerService@truemfg.com](mailto:TrueCHCustomerService@truemfg.com)  
[TrueRefAus@truemfg.com](mailto:TrueRefAus@truemfg.com)

