

Upright Cabinets

T-19F-HC

Upright Foodservice Freezer, 1 Full Solid Swing Door



Dimensions	
External Width (mm)	686
External Depth (mm)	623
External Height (mm)	1995
Exclusions	Depth does not include 13 mm for rear access panel.
Net Volume (Litres)	347
Gross Volume (Litres)	538
Supplied Shelves	4
Shelf Size (L x D mm)	582 x 464
Internal Net Height (mm)	1300
Unpackaged Weight (kg)	109
Packaged Weight (kg)	120
Packaged Dimensions (W x D x H mm)	788 x 788 x 2058
Supplied with	Heavy duty lock-in-place ø 64 mm castors (83 mm height)

Build	
Door Description	1 Solid Swing Door
Door Opening	Right (standard) or Left
Exterior Construction	Stainless steel front, aluminium sides & rear
Interior Construction	Clear coated aluminium, stainless steel base
Air Intake Position	Front
Ventilation Position	Rear
Clearance Required	26 mm rear, zero sides
Cord Length (Meters)	2.74
Internal Lighting	LED
Standard w/ Locks	Standard

Technical	
Temperature Range	-23°C
Refrigerant	R290
Voltage/Frequency/Phase	220-240V/50Hz/1
Amps	2.3
Watts	529
Climate Class	5
Operating Statement	Heavy Duty: This appliance is intended for use in ambient temperatures up to 40°C.
Test Standard	EN22041:2019
EEC	C
Energy Efficiency Index	49.8
Defrost Type	Auto
Energy Consumption (kWh/24h)	4.344
Energy Consumption (kWh/Annum)	1586



Specifications subject to change without notice.
Chart dimensions rounded up to the next whole millimeter (inches rounded up to the 1/8")

UK & Ireland
EMEA
Australia

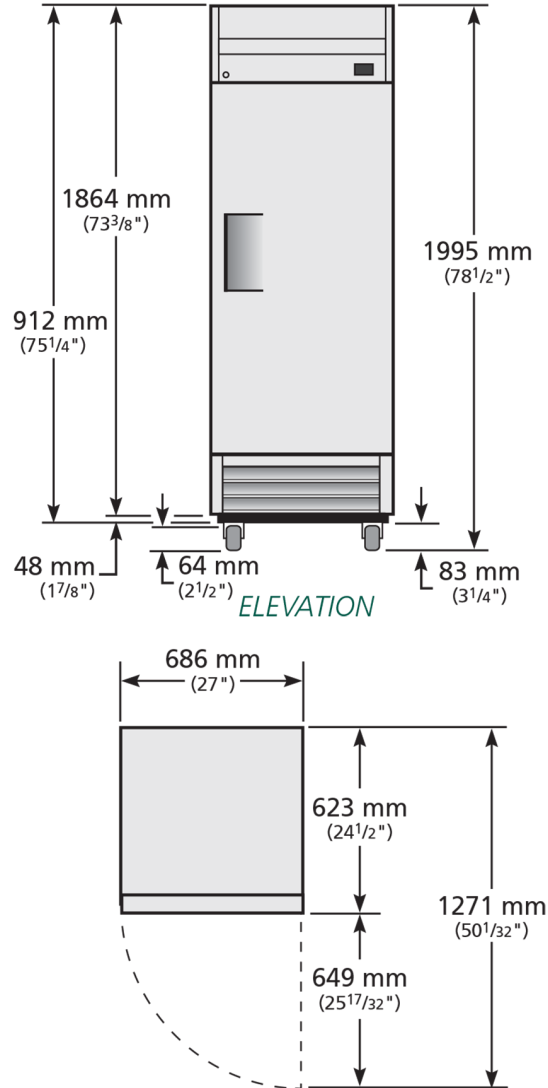
0800 783 2049
+41 61 563 07 05
+61 2 9619 9999

TFIUK@truemfg.com
TrueCHCustomerService@truemfg.com
TrueRefAus@truemfg.com



T-19F-HC

Upright Foodservice Freezer, 1 Full Solid Swing Door



Specifications subject to change without notice.
Chart dimensions rounded to the next whole millimeter (inches rounded up to the 1/8")

UK & Ireland
EMEA
Australia

[0800 783 2049](tel:08007832049)
[+41 61 563 07 05](tel:+41615630705)
[+61 2 9619 9999](tel:+61296199999)

TFIUK@truemfg.com
TrueCHCustomerService@truemfg.com
TrueRefAus@truemfg.com

